



Ventura Yacht Club's Winter Regatta

SAILING INSTRUCTIONS

1. **RULES:** The regatta will be governed by the current Racing Rules of Sailing, the Safety Prescriptions of the US Sailing, the Rules of the PHRF or any one-design class that may be established, the Notice of Race and these Regatta Sailing Instructions, the last of which shall prevail in the event of conflict with any of the former. PHRF boats will use their Area A W/L rating. If five (5) or more boats with current/valid certificates for the same class enter, a one-design class shall be created.
 - 1.1 Each boat shall have valid, third-party liability insurance that provides for a minimum coverage of \$300,000/incident.
2. **ENTRIES:** Eligible boats may enter by completing registration with the Ventura Yacht Club (VYC), including paying all required fees, before 0830 hours on day of the event.
 - 2.1 The responsibility for a boat's decision to participate in a race or to continue racing is hers alone **(RRS 3)**.
3. **WEIGH-INS:** There will be no mandatory weigh-in for skippers and crews of one-design classes; it shall be accepted that by entering and racing, the skipper is affirmatively declaring s/he and the crew meet the standards of the subject class. However, this declaration may be subject to protest by any competitor and/or the Race Committee; if the class standard is found to be violated, the offending vessel shall be disqualified.
4. **NOTICES TO COMPETITORS:** Notices to competitors will be posted on the official Regatta Notice Board located on the VYC downstairs patio.
5. **SKIPPER'S MEETING:** The Skippers' Meeting will be held in the VYC clubhouse at 0830 hours on the Morning of the event.
6. **CHANGES TO SAILING INSTRUCTIONS:** Any change to the sailing instructions will be posted before 1000 hours on the day it will take effect, except that any change to the schedule of races will be announced at the skippers meeting. Oral instructions from the Race Committee (R/C) on station will be signaled by display of code flag "L" on the R/C signal boat.
7. **SIGNALS MADE ASHORE:** Signals made ashore will be displayed on the flagpole adjacent to the VYC clubhouse.
8. **SCHEDULE OF RACES:** The warning signal for the first class on each day of racing is intended to occur @ 1125. Subsequent races are to follow as time and weather allow.
9. **CLASS FLAG:** The color of start flags for the established class(es) will be determined and announced at the skippers meeting, provided however, if there is a J-24 class flag, that class flag shall be PINK.
10. **RACING AREA:** Races will commence from the start/finish line located approximately one-half (1/2) mile south of the Ventura Harbor R2 whistle buoy.

FOR FURTHER INFORMATION:

VYC Waterfront Activities Manager, Braedon Baum: (805) 415-1218 or youthsailing@venturayachtclub.org

- 11. THE COURSES:** The course diagram and course descriptions are shown in Figure 1. Designation of the course to be sailed will be signaled by displaying the number of the course from the R/C signal boat before or with the warning signal for each race. The approximate compass bearing to the first mark will be displayed from the R/C signal boat no later than the warning signal.
- 12. MARKS:** Marks labeled "W" and "L" illustrated in Figure 1 below will be YELLOW inflatable tetrahedrons.
New marks, as provided in instruction 16 (Change of the Next Leg of the Course) will be ORANGE tetrahedrons.
- 13. CHECK IN BEFORE THE START:** After the R/C signal boat is securely anchored and before the warning signal for the first race on each day of racing, each competing boat is required to check in by radio on VHF channel 69 or by sailing close to the stern of the R/C signal boat and hailing her sail number until acknowledged by the R/C.
- 14. THE START:** Races will be started by using RRS Rule 26. The start line will be between a staff displaying an orange flag on the R/C signal boat at the starboard end and the course side of a YELLOW inflatable tetrahedron at the port end.
- 14.1: There may be a courtesy signal (multiple sounds) one (1) minute prior to the beginning of the start sequence.
- 14.2: A boat starting more than five (5) minutes after her starting signal will be scored Did Not Start without a hearing. This changes RRS Rules A4 and A5.
- 15. RECALLS:** Individual recalls will be signaled in accordance with RRS Rule 29.1. General recalls will be signaled in accordance with RRS Rule 29.2.
- 15.1: As a courtesy, the R/C may attempt to hail the sail numbers of OCS yachts on VHF channel 69.
- 15.2: The following shall not be grounds for redress [this changes RRS Rule 62.1(a)]:
- 15.2.1: Failure of a boat to hear the recall hail or broadcast.
 - 15.2.2: A boat's position in the sequence of hailed numbers or broadcast numbers.
 - 15.2.3: Failure of the R/C to hail or broadcast numbers.
- 16. CHANGE OF THE NEXT LEG OF THE COURSE:** To change the next leg of the course in accord with RRS Rule 33, the R/C will lay a new (ORANGE tetrahedron) mark and remove the original mark as soon as practicable. If/When there is a subsequent change of course, the ORANGE tetrahedron mark will be replaced by an original (YELLOW) tetrahedron mark.
- 17. RETIREMENT:** A boat that retires from a race after check-in is to notify the R/C on VHF channel 69 before leaving the racing area or, when that is impossible, by notifying the event VYC Office by phone at (805) 642-0426.
- 18. THE FINISH:** The finish line will be the same as the start line.

FOR FURTHER INFORMATION:

VYC Waterfront Activities Manager, Braedon Baum: (805) 415-1218 or youthsailing@venturayachtclub.org

19. TIME LIMIT(S):

19.1: If no boat has rounded the windward mark within sixty (60) minutes of the starting signal, the race will be abandoned. Failure to meet the target time will not be grounds for redress. This changes RRS Rule 62.1(a).

19.2: Boats failing to finish within thirty (30) minutes after the first boat finishes sailing the course will be scored Did Not Finish without a hearing. This changes RRS Rules 35, A4 and A5.

20. BOAT INSPECTION: The R/C reserves the right to inspect any participating boat for compliance with safety equipment or class requirements, and to disqualify nonconforming boats.

21. PROTESTS: Protests shall be written on forms available at the VYC office and shall be delivered back to the VYC office within sixty (60) minutes after the time the R/C signal boat docks.

21.1: Protest notices will be posted on the Protest Notice Board on the downstairs patio as they are filed.

21.2: It is the responsibility of each skipper lodging a protest to present himself or herself, and any witnesses, at the jury room when the protest is to be heard.

22. SCORING: The Low-Point Scoring System (RRS Appendix A) will apply, except that each boat's score will be the sum of her scores for all races completed. Four (4) races will constitute a Regatta.

23. RADIO COMMUNICATION: The R/C will monitor VHF channel 69.

24. HAUL-OUT AND CAREENING RESTRICTIONS: No boat shall be hauled out during the Regatta except with prior written permission of the Principal Race Officer or jury; but in the case of an emergency, permission may be granted retroactively. Careening by any means for the purpose of cleaning or inspecting the hull is prohibited. The hull may be cleaned by swimming or keelhauling using ropes or cloth. Underwater breathing apparatus shall **not** be used.

25. SAFETY EQUIPMENT: All boats must conform with current United States Coast Guard Regulations and US Sailing Safety Equipment Requirements (USSER) for a USSailing Nearshore Race as modified below. [USSERs are available online at ussailing.org (click on *Safety*)].

25.1: USS SER 2.4.4 is in effect for this event and is modified to require lifelines even if they are not uncoated stainless steel.

25.2: USS SER 3.19.1 is modified to allow (non-GPS) magnetic compasses such as the TACK TICK and Velocitek Shift provided, however, they must be mounted/tethered to prevent the device from being lost overboard.

25.3: USS SER Rule 3.8.2 is in effect for this event but modified to allow a hand-held water-proof VHF or a hand-held VHF with a waterproof cover. DSC/GPS capability is not required.

25.4: USS SER 3.3.1 is modified to allow running lights that are mounted below deck level (common on '90's and earlier boats).

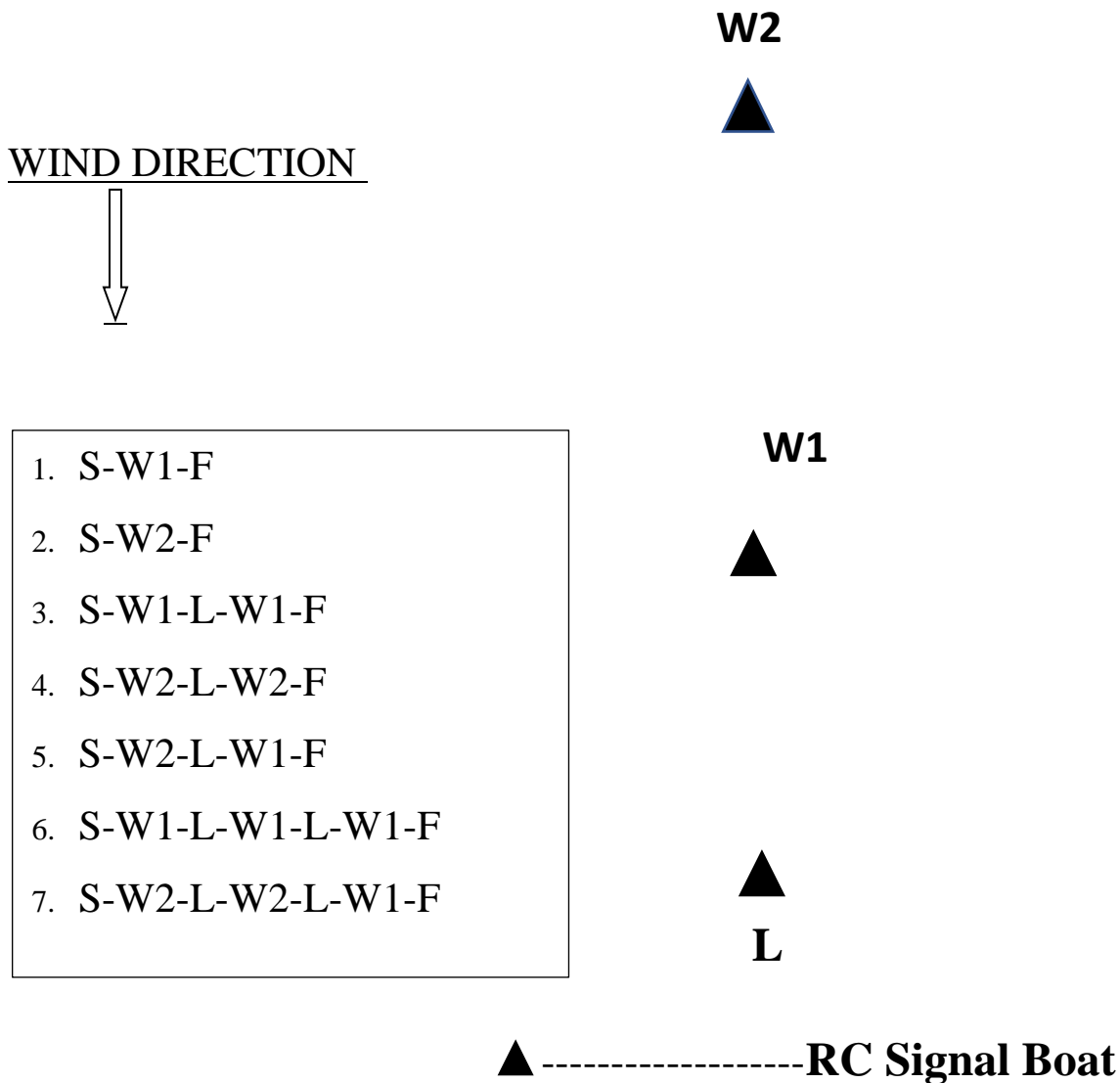
25.5: All boats shall also carry the safety equipment specified in their respective class rules.

FOR FURTHER INFORMATION:

VYC Waterfront Activities Manager, Braedon Baum: (805) 415-1218 or youthsailing@venturayachtclub.org

FIGURE 1

**COURSE's and ILLUSTRATION
(Not to Scale)**



Marks W1, W2 and L are to be taken to port.

The approximate distance from Start/Finish to L will be 0.10 NM.

The approximate distance from the Start/Finish line to W1 will be three-quarters (3/4) mile.

The approximate distance from the Start/Finish line to W2 will be one and a quarter (1.25) miles.

FOR FURTHER INFORMATION:

VYC Waterfront Activities Manager, Braedon Baum: (805) 415-1218 or youthsailing@venturayachtclub.org